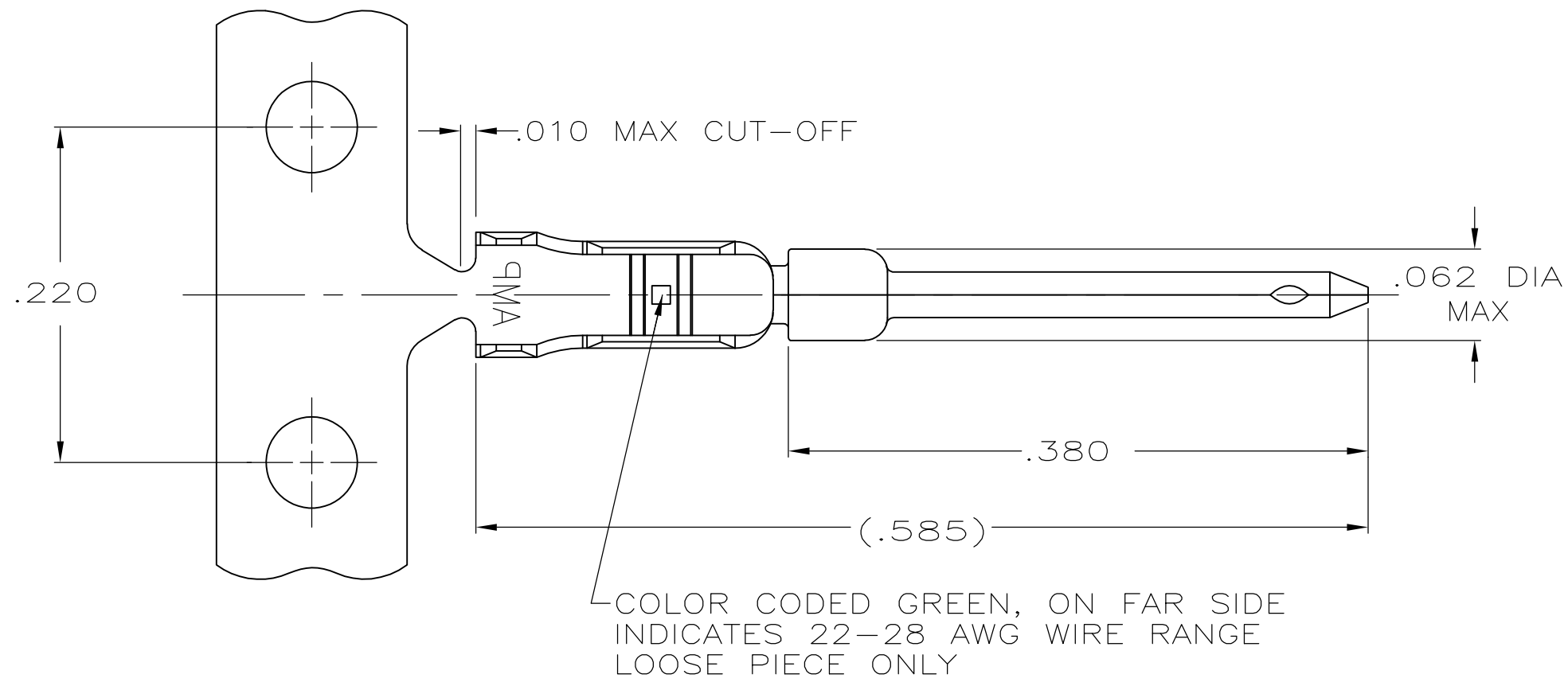
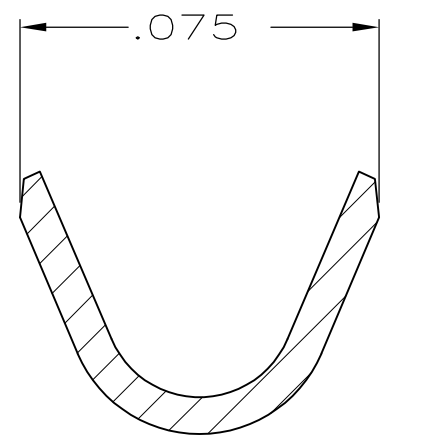
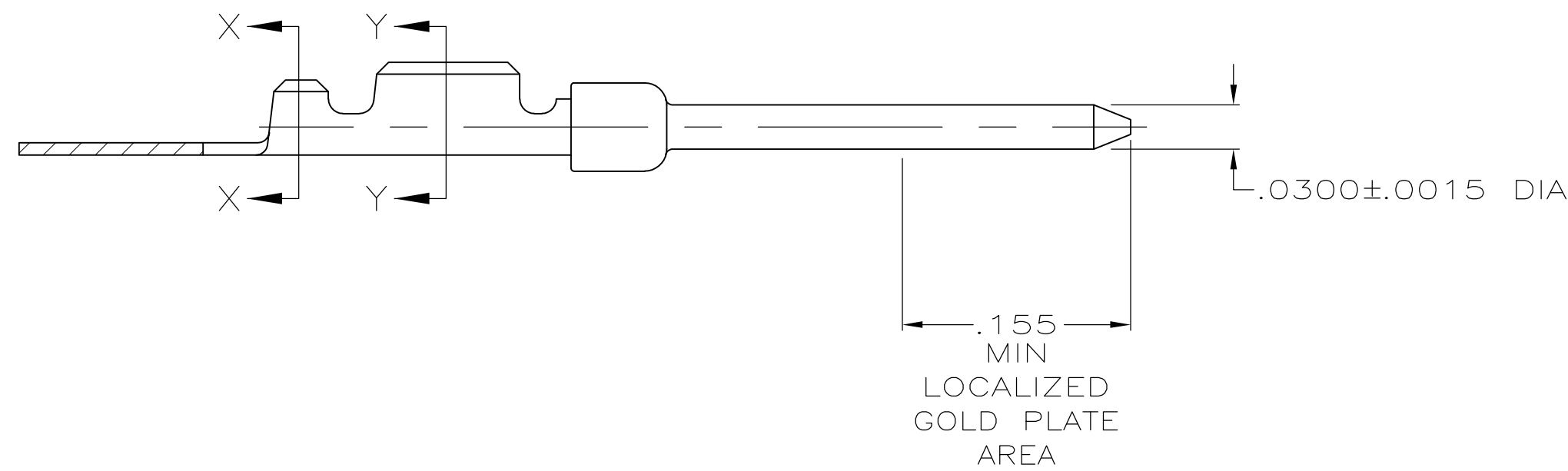


THIS DRAWING IS UNPUBLISHED. RELEASED FOR PUBLICATION
 © COPYRIGHT BY TYCO ELECTRONICS CORPORATION. ALL RIGHTS RESERVED.

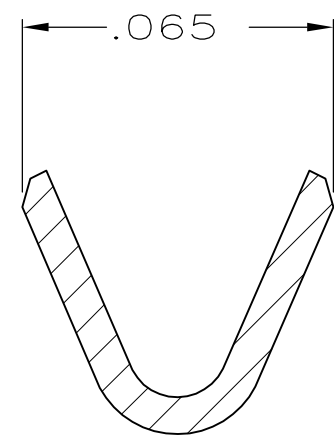
LOC	DIST	REVISIONS					
GP	00	P	LTR	DESCRIPTION	DATE	DWN	APVD
		C		REVISED PER ECO-08-008111	30JUN2008	ZMRC	WJR



- 1 FOR MINI APPLICATOR.
- 2 FOR HAND TOOL USE ONLY.
- 3. WIRE RANGE OF 22-28, INSULATION RANGE OF .030-.040.
- 4 .000050 MIN NICKEL UNDERPLATE ON ENTIRE CONTACT. .000100 MIN TIN ON WIRE AND INSULATION BARRELS, .000030 MIN GOLD ON LOCALIZED GOLD PLATE AREA.
OR
.000050 MIN NICKEL UNDERPLATE ON ENTIRE CONTACT. .000100 MIN TIN ON WIRE AND INSULATION BARRELS, GOLD FLASH OVER PALLADIUM-NICKEL, .000030 MIN TOTAL IN LOCALIZED GOLD PLATE AREA.
- 5 GOLD FLASH IN LOCALIZED GOLD PLATE AREA, .000100 MIN TIN IN WIRE & INSULATION BARRELS, BOTH OVER .000050 MIN NICKEL UNDERPLATE.
- 6 SMALL PACK PACKAGING.



SECTION X-X
INSULATION BARREL
SCALE 25:1



SECTION Y-Y
WIRE BARREL
SCALE 25:1

FINISH	USE	TYPE	PART NUMBER
4	2	LOOSE PIECE	1658670-5
5	2	LOOSE PIECE	1658670-4
5	1	STRIP	1658670-3
4	2	LOOSE PIECE	1658670-2
4	1	STRIP	1658670-1

THIS DRAWING IS A CONTROLLED DOCUMENT.		DWN L. VARELA - DOCK5 11-17-04	Tyco Electronics Corporation Harrisburg, PA 17105-3608	
DIMENSIONS: INCHES		CHK J. GERACE 11-17-04	NAME	
TOLERANCES UNLESS OTHERWISE SPECIFIED:		APVD M. WALMSLEY 11-17-04	PIN CONTACT, 22-28 AWG, 22 DF, AMPLIMITE	
0 PLC ± -	1 PLC ± -	PRODUCT SPEC 108-1268	SIZE A2	CAGE CODE 00779
2 PLC ± -	3 PLC ± .005	APPLICATION SPEC 114-10001	DRAWING NO C=1658670	RESTRICTED TO
4 PLC ± -	ANGLES ± 2'	MATERIAL BRASS	SCALE 10:1	SHEET 1 of 1
FINISH SEE TABLE		WEIGHT -	REV C	
		CUSTOMER DRAWING		